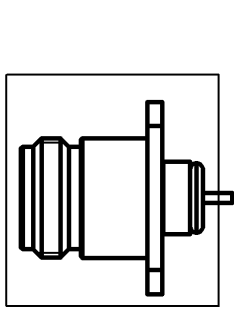
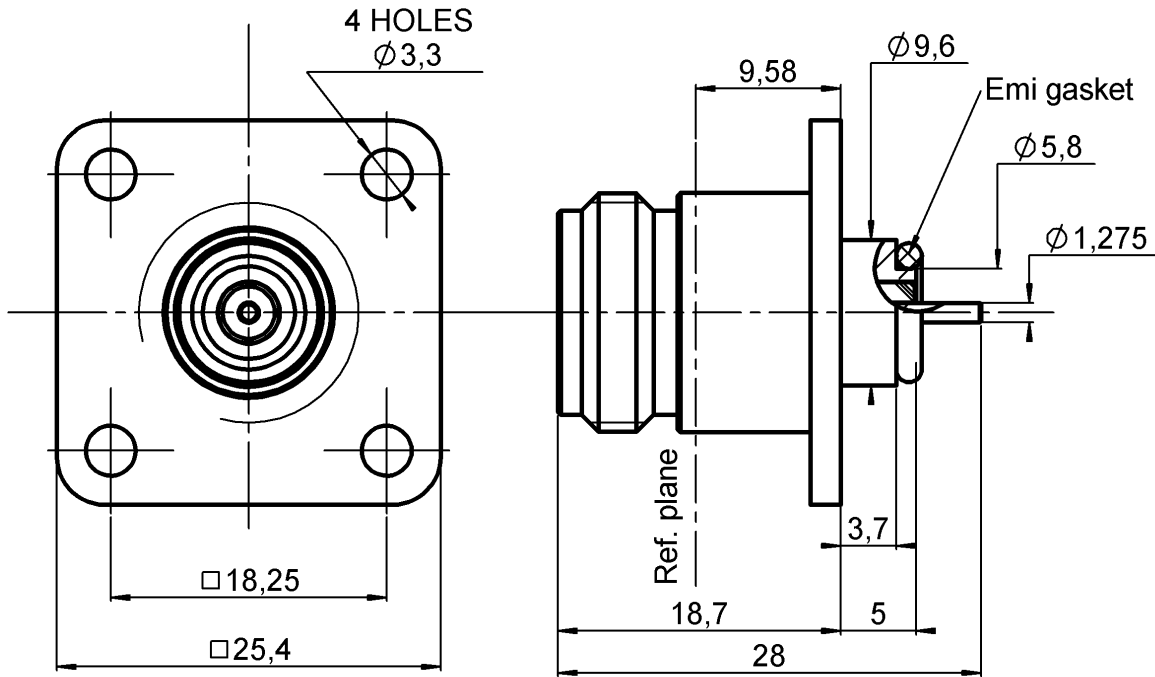


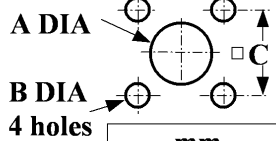
**SQUARE FLANGE JACK RECEPTACLE
WITH CYLINDRICAL CONTACT**

R161.404.370

Series : N



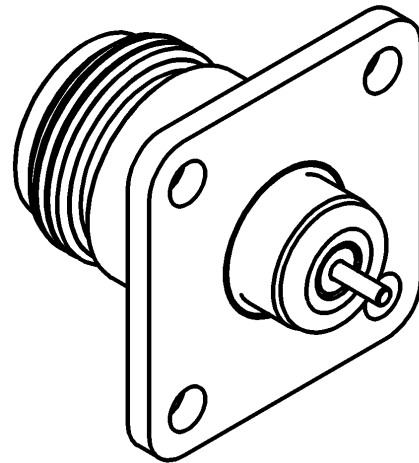
PANEL CUT OUT



mm		
	Maxi	mini
A	9.75	9.65
B	3.3	3.2
C	18.35	18.15

SCALE 1/1

All dimensions are in mm.



COMPONENTS	MATERIALS	PLATING (µm)
BODY	BRASS	BBR 2
CENTER CONTACT	BERYLLIUM COPPER	GOLD 0.5 OVER NICKEL 2
OUTER CONTACT	BRASS	BBR 2
INSULATOR	PTFE	
GASKET	SILICONE CuAg(conductor)	
OTHERS PARTS	BRASS	BBR 2
-	-	-
-	-	-

Issue : 0636 B

In the effort to improve our products, we reserve the right to make changes judged to be necessary.



**SQUARE FLANGE JACK RECEPTACLE
WITH CYLINDRICAL CONTACT**

R161.404.370

Series : N

PACKAGING

SPECIFICATION

Standard	Unit	Other
50	'W' option	Contact us

ELECTRICAL CHARACTERISTICS

Impedance	50	Ω
Frequency	0-11	GHz
VSWR	1.04* + 0,0350	x F(GHz) Maxi
Insertion loss	0.06*	\sqrt{F} (GHz) dB Maxi
RF leakage	- (101)	- F(GHz)) dB Maxi
Voltage rating	1400	Veff Maxi
Dielectric withstanding voltage	2500	Veff mini
Insulation resistance	5000	M Ω mini

ENVIRONMENTAL

Operating temperature	-55/+155	$^{\circ}$ C
Hermetic seal	NA	Atm.cm3/s
Panel leakage	NA	

OTHER CHARACTERISTICS

Assembly instruction

Others :

*Coaxial Transmission Line Only

MECHANICAL CHARACTERISTICS

Center contact retention		
Axial force – Mating end	27	N mini
Axial force – Opposite end	27	N mini
Torque	NA	N.cm mini
Recommended torque		
Mating	NA	N.cm
Panel nut	NA	N.cm
Mating life	500	Cycles mini
Weight	29,8100	g

Issue : 0636 B

In the effort to improve our products, we reserve the right to make changes judged to be necessary.

